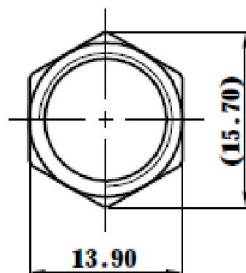
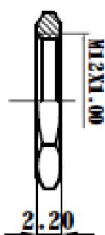
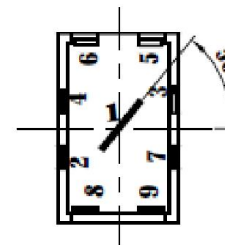
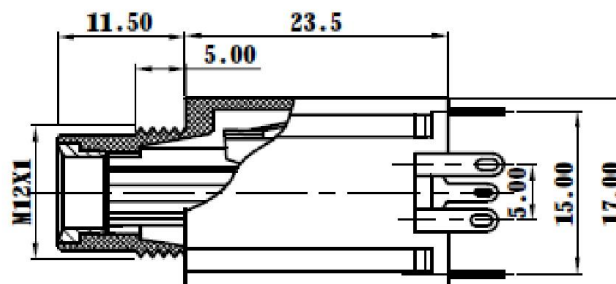
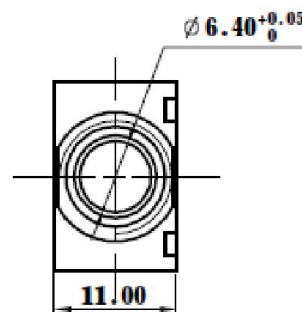
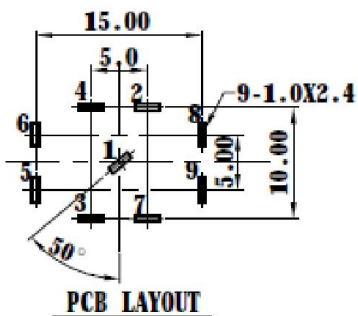
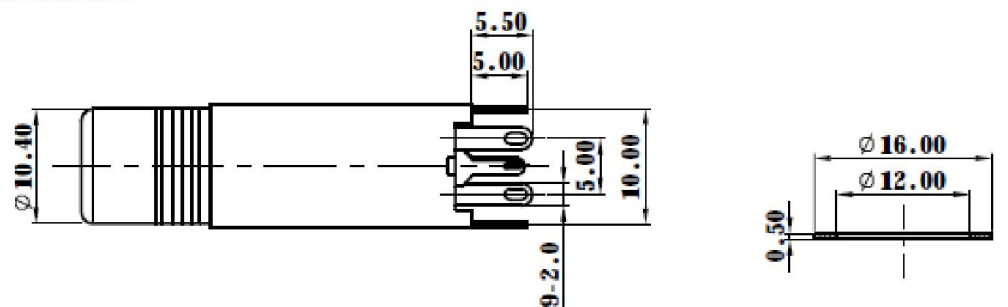


SCHEMATIC



Tolerances	Title: 6.35 Earphone Jack				
Linear/Angles	Part No.:	WCT-EPJ-6302-9P			
.x +/-0.1	Cus. P/N.:				
.xx +/-0.05	Drawer	Selina	Version		
Units: MM	Checked	Summer	Date	May-26-2017	
Scale: 1:1	Approved	Macus	Projection	Sheet 1/1	

No.	Name	Plating & Color	Material