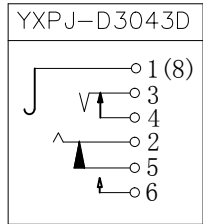


P. C. B LAYOUT
TOP VIEW

SCHEMATIC



Part No:	Color
WCT-EPJ-D3043DA-2	Pink (701C)
WCT-EPJ-D3043DA-3	Green (577C)

NO.	DESCRIPTION	QTY	MATERIAL	PLATING
8	COAT	1	PHOSPHOR BRONZE T=0.2	Ni-Plating
7	HOUSING	1	PBT & PA9T	
6	CONTACT FOOT	1	PHOSPHOR BRONZE T=0.2	Ag-Plating
5	SPRING PIECE	1	SUS301 T=0.2	Ag-Plating
4	CURVE PIECE	1	BRASS T=0.25	Ag-Plating
3	SPRING PIECE	1	PHOSPHOR BRONZE T=0.25	Ag-Plating
2	SPRING PIECE	1	SUS301 T=0.2	Ag-Plating
1	CONTACT FOOT	1	PHOSPHOR BRONZE T=0.2	Ag-Plating

SPECIFICATION

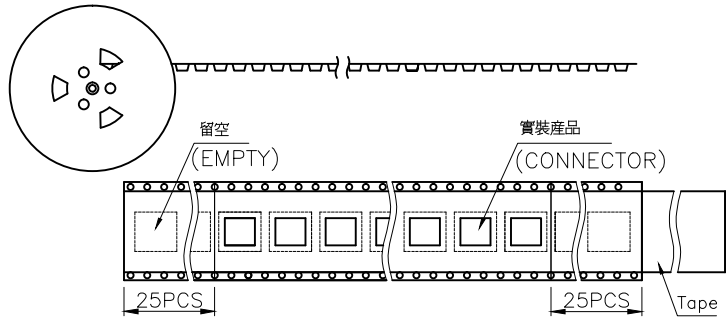
- Rating : DC 30V 0.5A;
- Contact resistance: $\leq 0.03 \Omega$;
- Insulation resistance: $\geq 100M \Omega$ (DC250V);
- Withstand voltage: 500VAC ;
- Insertion and extraction force: 3-20N;
- life test: 5,000 cycles.



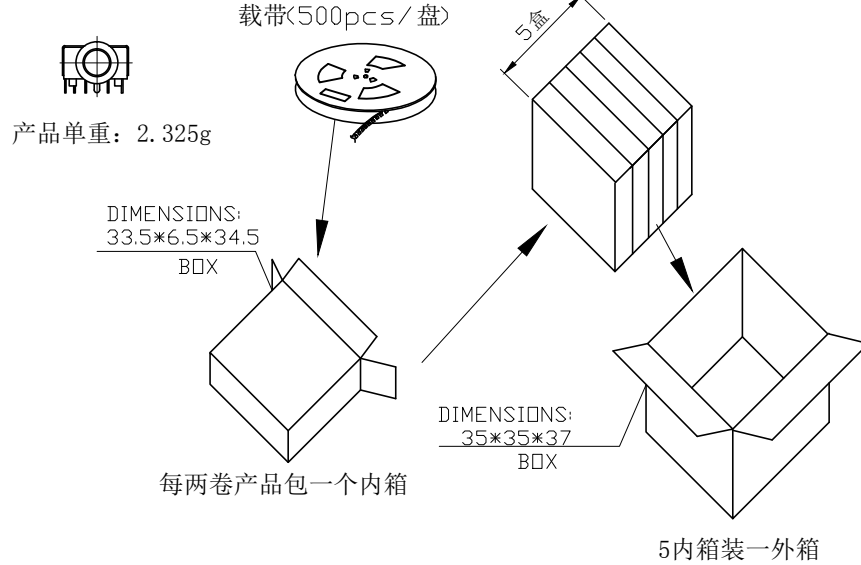
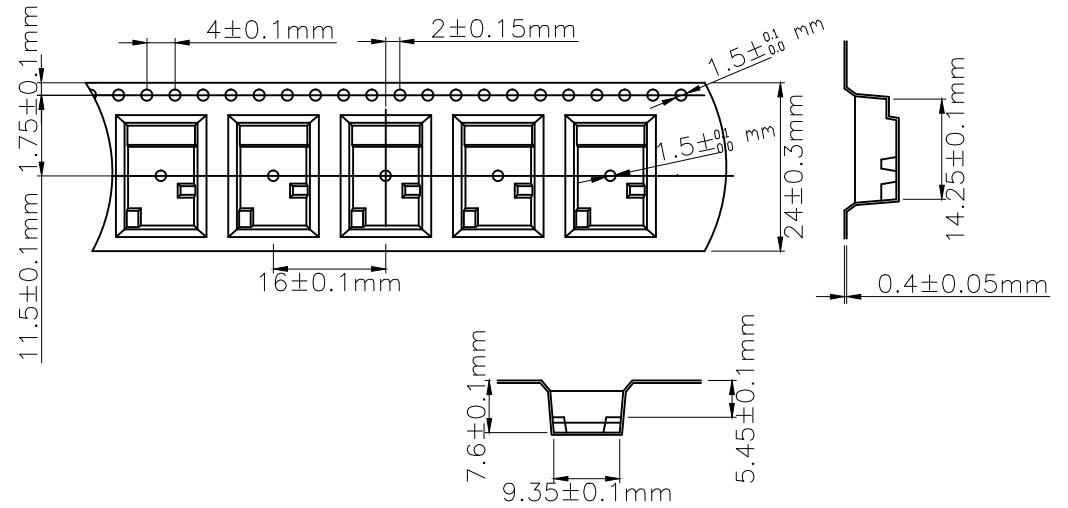
Title		3.5mm Earphone Jack 6Pin DIP 90° With Post					
Tolerances	Drawer	Naomi	Part No:				
	Checked	Summer	WCT-EPJ-D3043DA-X				
X ±0.15 .X ±0.05	Approved	Macus	Cus. Part No:				
	Date	2017.06.09	WCT-EPJ-D3043DA-X				
Angles	Projection	Version	Size	A4	Units	mm	
± 3°		A	Scale	1:1	Sheet	1/2	



收料方向 GATHER MATERIAL DIRECTION
客舖放料方向 INPUT MATERIAL DIRECTION



收料方向 GATHER MATERIAL DIRECTION
客舖放料方向 INPUT MATERIAL DIRECTION



1. 每PCS产品单重为2.325g
2. 载带使用13"24m/m胶盘, 包装数量:500PCS. (单重:360g)
3. 内箱规格:33.5*6.5*34.5cm. (单重:98.7g)
4. 外箱规格:35*35*37cm. (单重:666g)
5. 整箱毛重 16.5Kg 单重: 11.625Kg

PACKAGE INFORMATION

PART NUMBER	Q'TY PER REEL	REEL PER BOX	Q'TY PER BOX
WCT-EPJ-D3043DA-X	500PCS	10 R	5000 PCS

允禄科技有限公司

WINCONN TECHNOLOGY CO., LTD.

Title	3.5mm Earphone Jack 6Pin DIP 90° With Post					
Tolerances	<i>Drawer</i>	<i>Naomi</i>	<i>Part No:</i>			
	<i>Checked</i>	<i>Summer</i>	WCT-EPJ-D3043DA-X			
X ±0.15 .X ±0.05	<i>Approved</i>	<i>Macus</i>	<i>Cus. Part No:</i>			
	<i>Date</i>	2017.06.09	WCT-EPJ-D3043DA-X			
Angles	<i>Projection</i>	<i>Version</i>	<i>Size</i>	<i>A4</i>	<i>Units</i>	<i>mm</i>
± 3°		A	<i>Scale</i>	1:1	<i>Sheet</i>	2/2