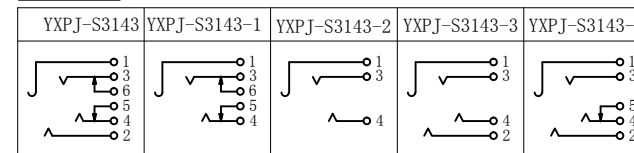


P. C. B LAYOUT
TOP VIEW

SCHEMATIC



7	HOUSING	1	PA9T	
6	6# CONTACT FOOT	1	BRONZE	Au-Plating
5	5# CONTACT FOOT	1	BRONZE	Au-Plating
4	4# CONTACT FOOT	1	BRONZE	Au-Plating
3	3# CONTACT FOOT	1	BRONZE	Au-Plating
2	2# CONTACT FOOT	1	BRONZE	Au-Plating
1	1# CONTACT FOOT	1	BRONZE	Au-Plating
NO.	DESCRIPTION	QTY	MATERIAL	PLATING



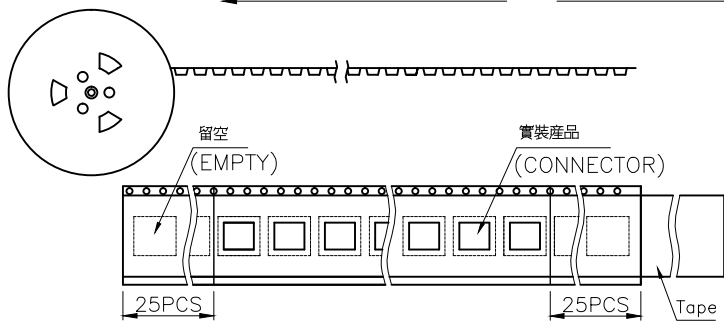
SPECIFICATION

1. Rating : DC 30V 0.5A;
2. Contact resistance: $\leq 0.03 \Omega$;
3. Insulation resistance: $\geq 100M \Omega$ (DC250V);
4. Withstand voltage: 500VAC ;
5. Insertion and extraction force: 3-20N;
6. life test: 5,000 cycles.

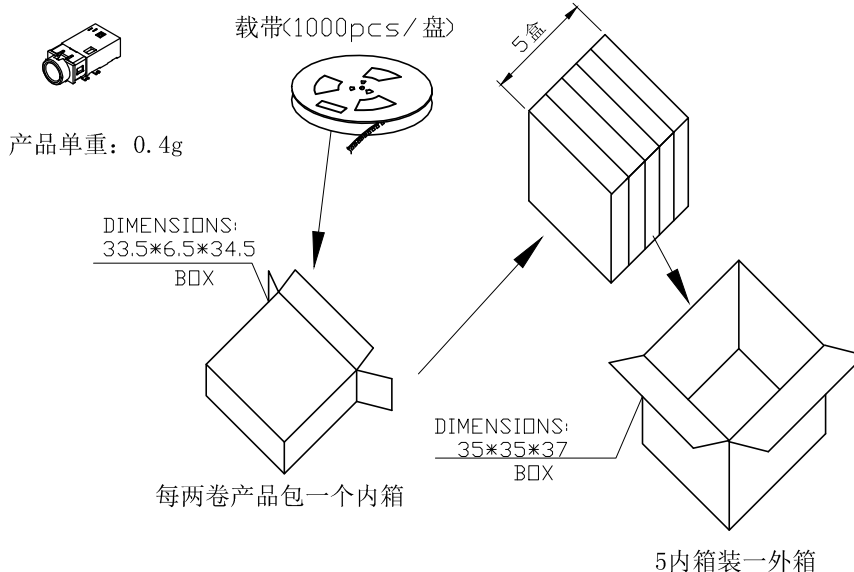
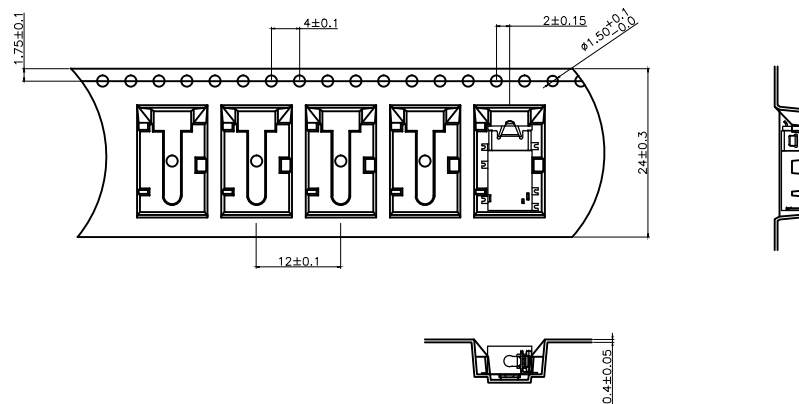
Title	3.5mm Earphone Jack 6Pin SMT 90° With Post					
Tolerances	<i>Drawer</i>	<i>Naomi</i>	<i>Part No:</i>			
<i>Linear</i>	<i>Checked</i>	<i>Summer</i>	WCT-EPJ-S3143-X			
<i>X ±0.15</i>	<i>Approved</i>	<i>Macus</i>	<i>Cus. Part No:</i>			
<i>.X ±0.05</i>	<i>Date</i>	2017.06.09	WCT-EPJ-S3143-X			
Angles	<i>Projection</i>	<i>Version</i>	<i>Size</i>	<i>A4</i>	<i>Units</i>	<i>mm</i>
± 3°		A	<i>Scale</i>	1:1	<i>Sheet</i>	1/2



收料方向 GATHER MATERIAL DIRECTION
客舖放料方向 INPUT MATERIAL DIRECTION



收料方向 GATHER MATERIAL DIRECTION
客舖放料方向 INPUT MATERIAL DIRECTION



1. 每PCS产品单重为0.4g
2. 载带使用13"24m/m胶盘, 包装数量: 1000PCS. (单重: 325g)
3. 内箱规格: 33.5*6.5*34.5cm. (单重: 98.7g)
4. 外箱规格: 35*35*37cm. (单重: 666g)
5. 整箱毛重 8.4Kg 单重: 4Kg

PACKAGE INFORMATION

PART NUMBER	Q'TY PER REEL	REEL PER BOX	Q'TY PER BOX
WCT-EPJ-S3143-X	1000PCS	10 R	10000 PCS



Title	3.5mm Earphone Jack 6Pin SMT 90° With Post					
Tolerances	Drawer	Naomi	Part No:			
Linear	Checked	Summer	WCT-EPJ-S3143-X			
X ±0.15	Approved	Macus	Cus. Part No:			
X ±0.05	Date	2017.06.09	WCT-EPJ-S3143-X			
Angles	Projection	Version	Size	A4	Units	mm
± 3°		A	Scale	1:1	Sheet	2/2