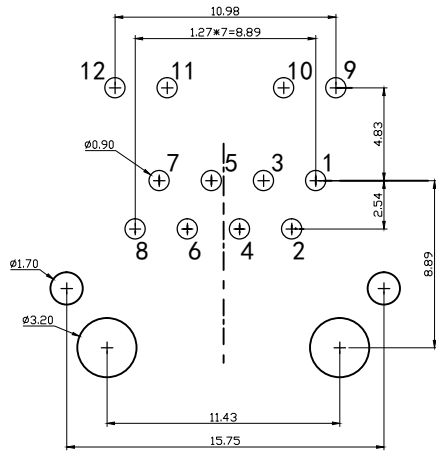
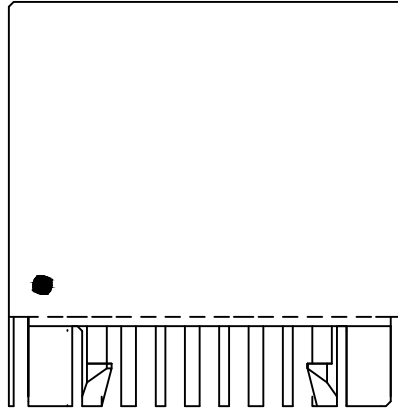
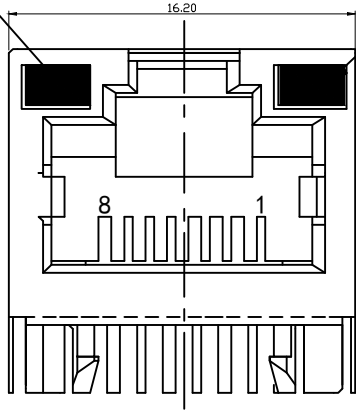


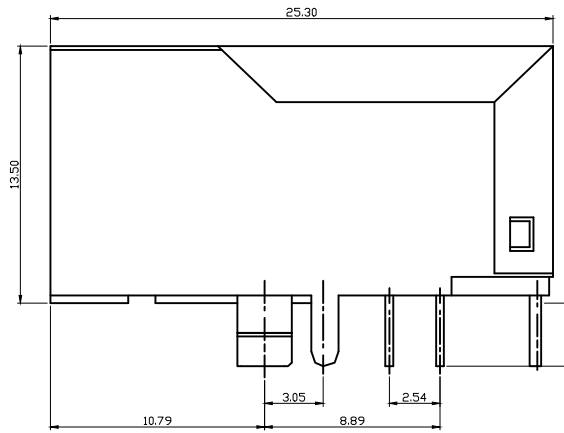


GREEN  
LEFT LED

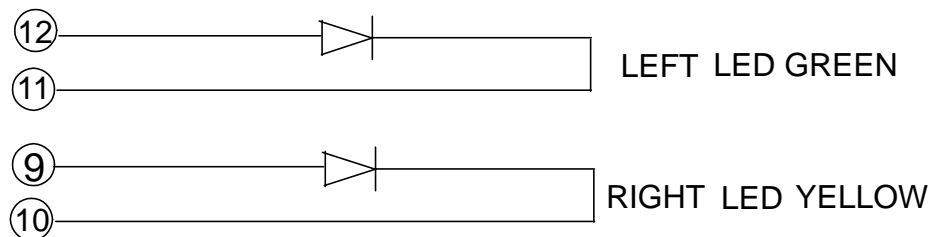
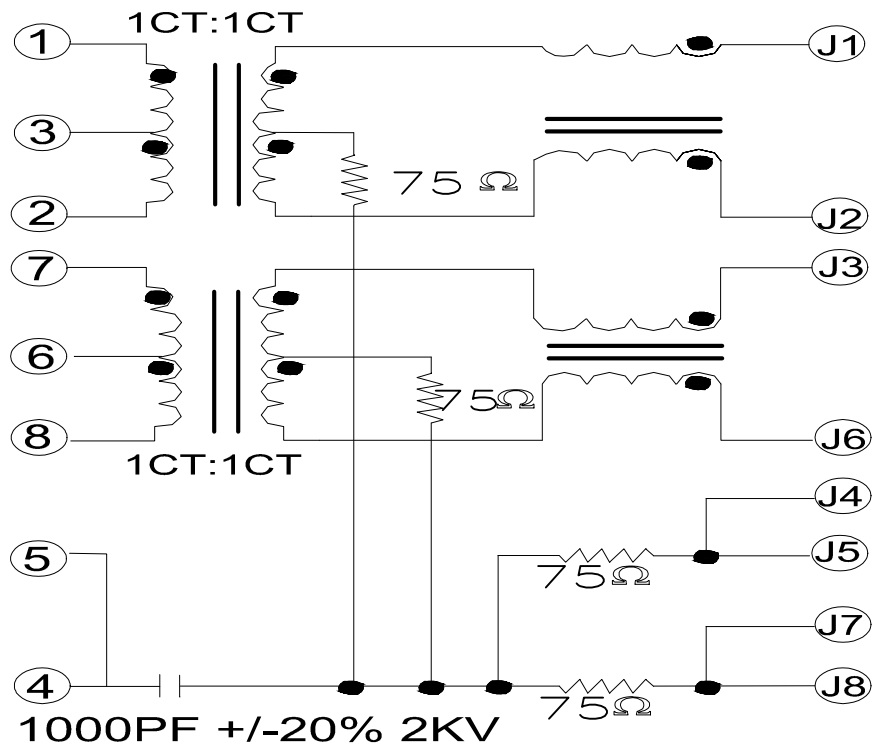
YELLOW  
RIGHT LED



P. C. B. LAYOUT



<i>Title</i>	10/100 BASE 1X1 TAB-UP RJ45					
<i>Tolerances</i>	<i>Drawer</i>	<i>Naomi</i>	<i>Part No:</i>			
<i>Linear</i>	<i>Checked</i>	<i>Summer</i>	WCT-RJ-098GNL			
<i>X ±0.15</i>	<i>Approved</i>	<i>Macus</i>	<i>Cus. Part No:</i>			
<i>.X ±0.05</i>	<i>Date</i>	2017.06.03	WCT-RJ-098GNL			
<i>Angles</i>	<i>Projection</i>	<i>Version</i>	<i>Size</i>	<i>A4</i>	<i>Units</i>	<i>mm</i>
± 3°		A	<i>Scale</i>	1:1	<i>Sheet</i>	1/2



Insertion Loss: 1-100MHZ -1.0dB MAX

Return Loss: 1-30MHZ -16.0dB MIN

30-60MHZ -14.0dB MIN

60-80MHZ -10.0dB MIN

Cross Talk:1-30MHZ -40.0dB MIN

30-60MHZ -35.0dB MIN

60-80MHZ -30.0dB MIN

CMR:1-100MHZ -35.0dB MIN

Hi-Pot:1500v AC 6S 1mA

Turn Ratio: 1CT:1CT+/-3%

OCL:350uH MIN @ 100KHZ 100mV 8mA DC

Contacts: 0.35mm thick phos bronze plated with 6u' gold in contact are

Housing Material: PBT Black

Operating temperature range: 0°C to +70°C



Title		10/100 BASE 1X1 TAB-UP RJ45					
Tolerances	Drawer	Naomi	Part No:				
Linear	Checked	Summer	WCT-RJ-098GNL				
X ±0.15	Approved	Macus	Cus. Part No:				
.X ±0.05	Date	2017.06.03	WCT-RJ-098GNL				
Angles	Projection	Version	Size	A4	Units	mm	
± 3°		A	Scale	1:1	Sheet	2/2	