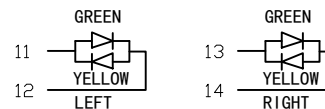


P. C. B LAYOUT

Material:
 Housing :PBT+30%GF,UL94V-0,Black.
 Plastic bracket :PBT+30%GF,UL94V-0,Black.
 Shell: C2680R-H,T=0.20mm,Nickel plated on all area.
 Contact terminal:Phosphor bronze C5210R-EH,T=0.35mm,
 Gold plated 30u" on mating area.

Mechanical:
 Durability :750 cycles Min.
 Mating force :22N Max.
 Operating temperature:-40°C~+85°C.
 Storage temperature: -40°C~+85°C.

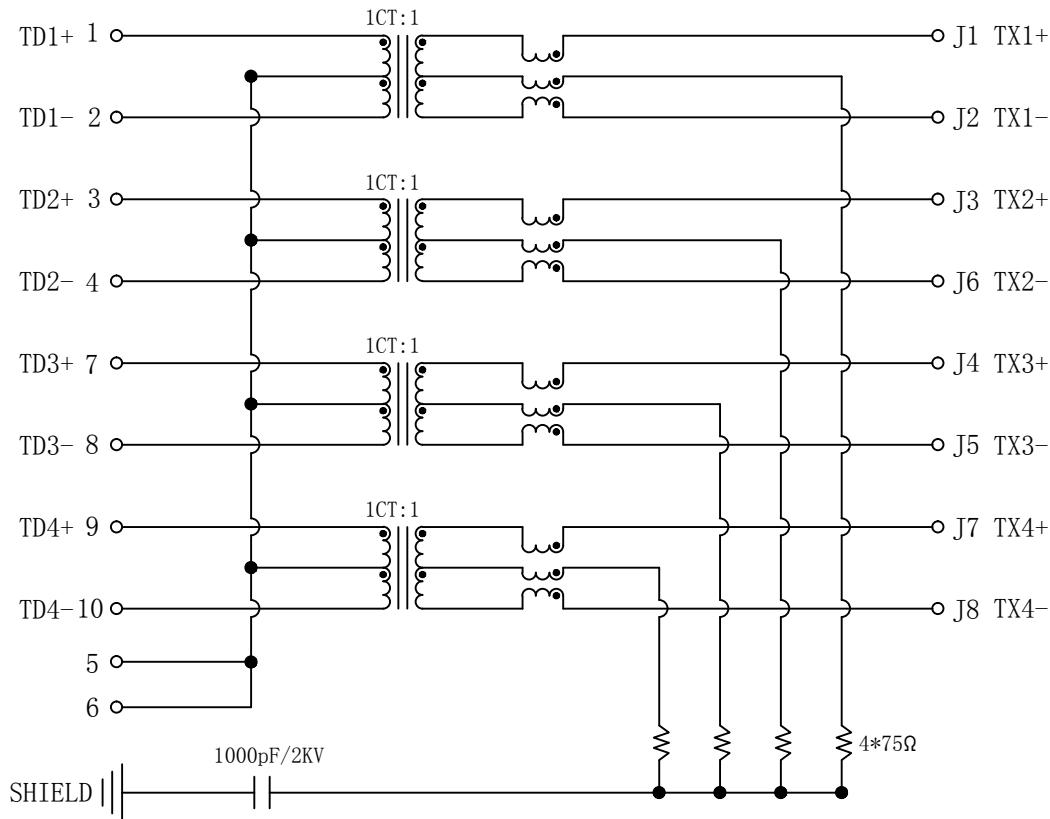


SpecificationLED

Standard LED Color	LED Wavelength	Foward(V MAX)	Typical(V TYP)	Luminous Intensity
Green	560-580nm	2.5v	2.1-2.2v	9-25 MCD
Yellow	580-610nm	2.5v	2.1-2.2v	9-30 MCD



Title	1000 BASE 1X1 90° TAB-DOWN RJ45					
Tolerances	Drawer	Naomi	Part No:			
	Checked	Summer	WCT-RJ-204GYGYENL			
X ±0.15 .X ±0.05	Approved	Macus	Cus. Part No:			
	Date	2017.06.03	WCT-RJ-204GYGYENL			
Angles	Projection	Version	Size	A4	Units	mm
± 3°		A	Scale	1:1	Sheet	1/3



Electrical:

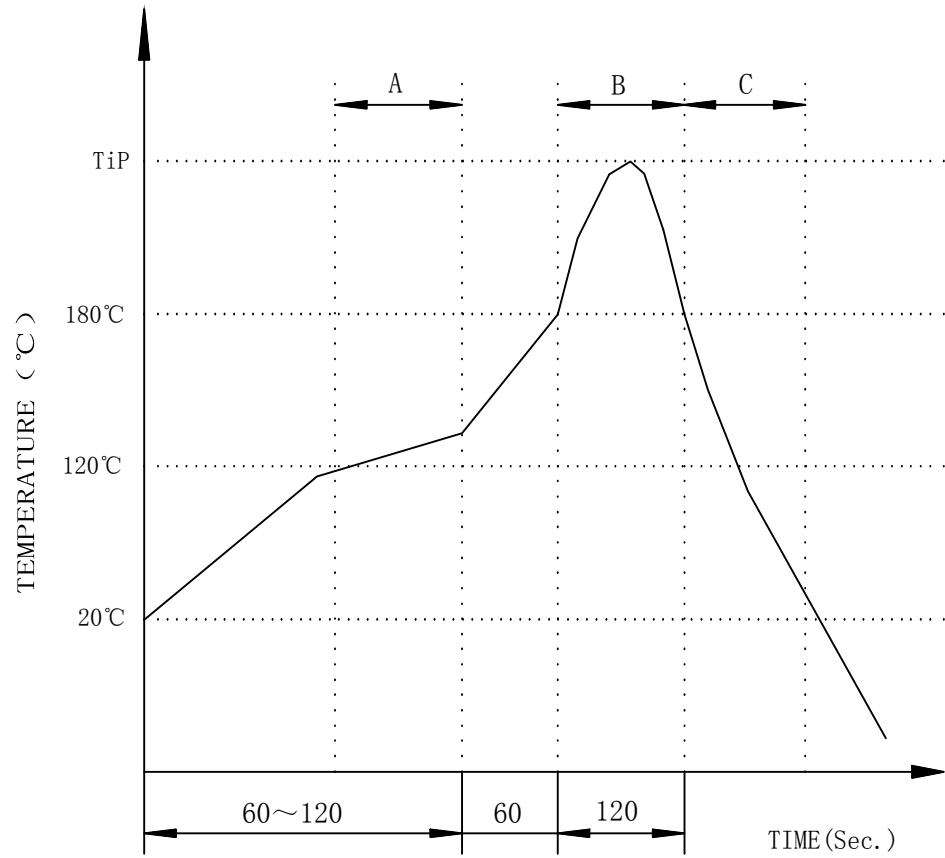
1. Insulation resistance: 500 megohms MIN @500VDC.
2. Contact resistance: 50 milliohms Max.
3. Turn Ratio: 1~2: J1~J2=1CT:1CT(±2%).
3~4: J3~J6=1CT:1CT(±2%).
7~8: J4~J5=1CT:1CT(±2%).
9~10: J7~J8=1CT:1CT(±2%).
4. OCL: 350uH Min. at 100KHz 100mV 8mA DC.
5. Insertion Loss: -1.0 dB Max 1MHz to 100MHz.
6. Return loss: -16dB Min From 1MHz to 30MHz;
-14dB Min From 30MHz to 60MHz.
-10dB Min From 60MHz to 80MHz.
7. Cross talk: -40dB Min From 1MHz-30MHz;
-35dB Min From 30MHz-60MHz;
-30dB Min From 60MHz-100MHz;
8. CMR: -35dB Min From 1MHz-100MHz;
9. Hi-Pot: 1500V AC 6S 1mA



<i>Title</i>	1000 BASE 1X1 90° TAB-DOWN RJ45					
<i>Tolerances</i>	<i>Drawer</i>	<i>Naomi</i>	<i>Part No:</i>			
<i>Linear</i>	<i>Checked</i>	<i>Summer</i>	WCT-RJ-204GYGYENL			
<i>X ±0.15</i>	<i>Approved</i>	<i>Macus</i>	<i>Cus. Part No:</i>			
<i>.X ±0.05</i>	<i>Date</i>	2017.06.03	WCT-RJ-204GYGYENL			
<i>Angles</i>	<i>Projection</i>	<i>Version</i>	<i>Size</i>	<i>A4</i>	<i>Units</i>	<i>mm</i>
± 3°		A	<i>Scale</i>	1:1	<i>Sheet</i>	2/3



PROFILE OF WAVE SOLDER



A.Preheating B.Soldering C.Gradual Cooling
 Tip temperature:260+5°C.
 Tip temperature time:5Sec Max.
 Tip melting point of Sn96.5/Ag3/Cu0.5:217°C.

After the wave solder,the plastic column of product under the pcb will have a slight plastic melting situation .



<i>Title</i>	1000 BASE 1X1 90° TAB-DOWN RJ45					
<i>Tolerances</i>	<i>Drawer</i>	<i>Naomi</i>	<i>Part No:</i>			
<i>Linear</i>	<i>Checked</i>	<i>Summer</i>	WCT-RJ-204GYGYENL			
<i>X ±0.15</i>	<i>Approved</i>	<i>Macus</i>	<i>Cus. Part No:</i>			
<i>.X ±0.05</i>	<i>Date</i>	2017.06.03	WCT-RJ-204GYGYENL			
<i>Angles</i>	<i>Projection</i>	<i>Version</i>	<i>Size</i>	A4	<i>Units</i>	mm
± 3°		A	<i>Scale</i>	1:1	<i>Sheet</i>	3/3