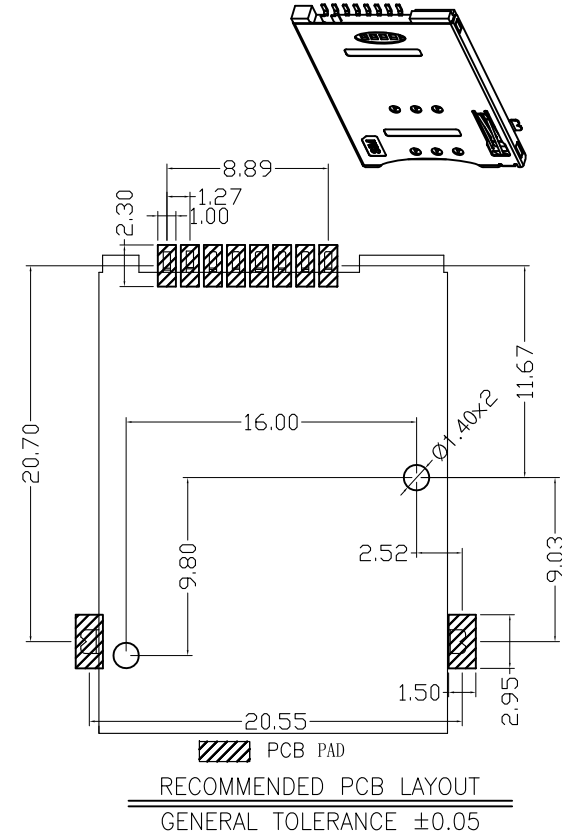
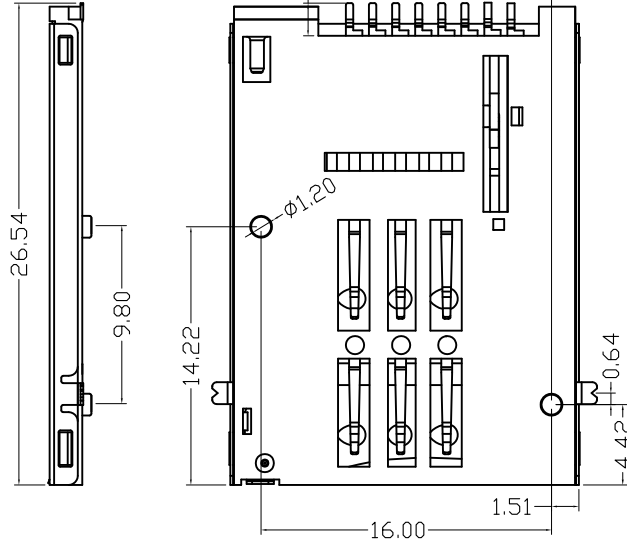
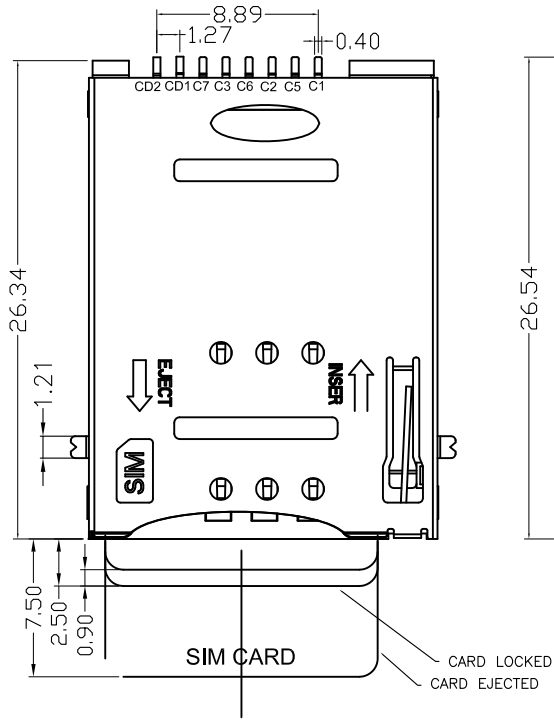
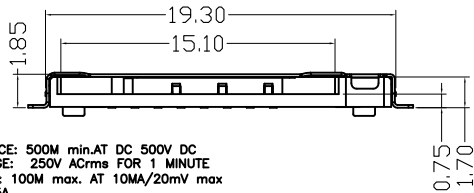




RoHS
compliant



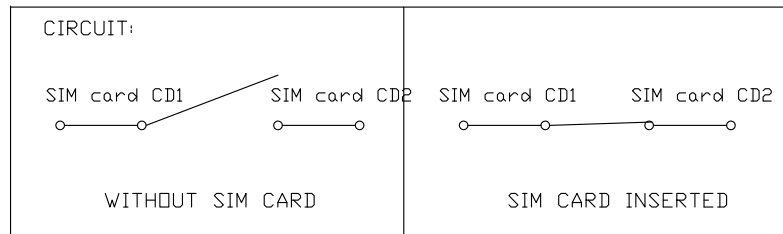
SIM pin assignment	
PIN#	Name
C1	VCC 电压
C2	RST 重置
C3	CLK 时钟
C5	GND 接地
C6	VPP 电压
C7	I/O 输入输出



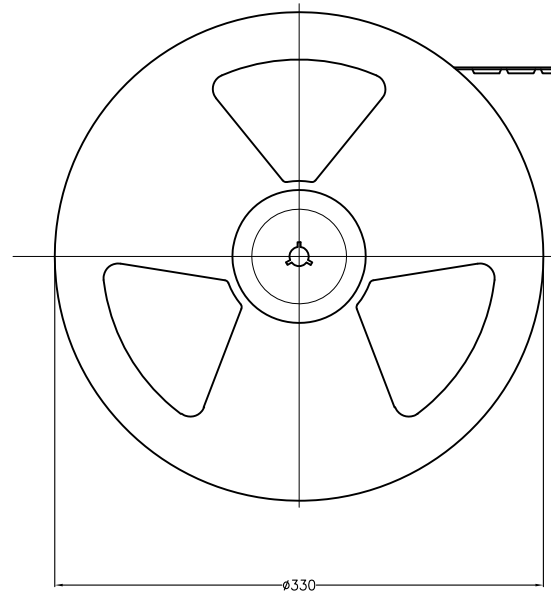
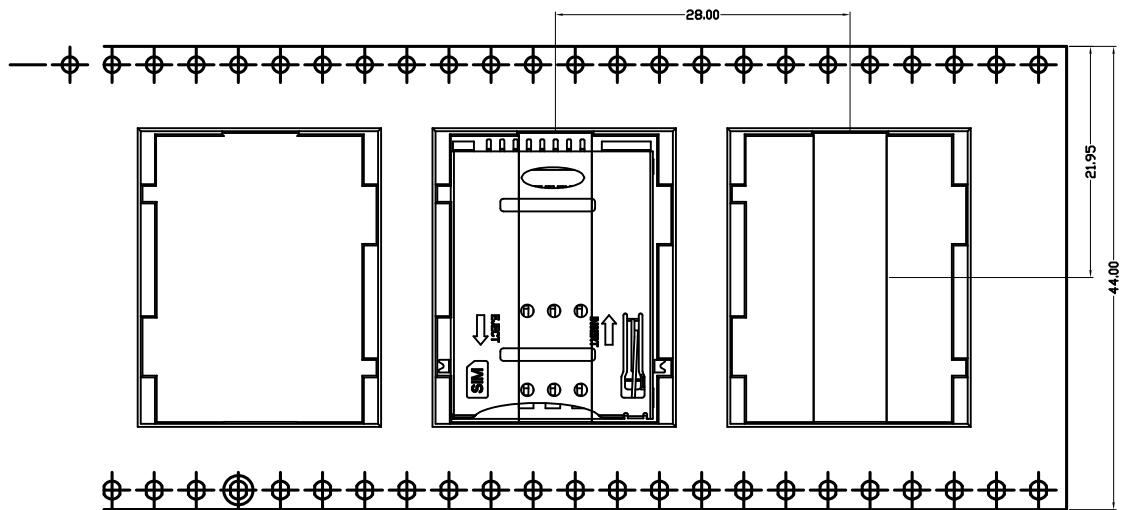
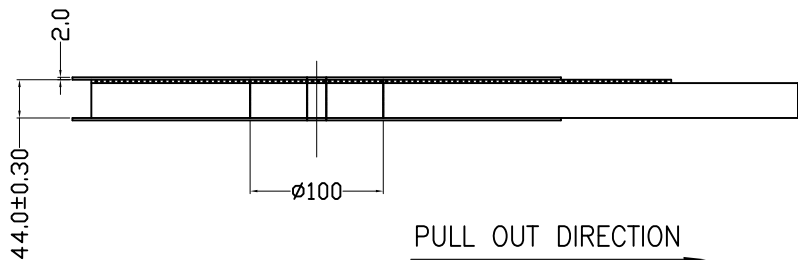
1. SPECIFICATIONS
 INSULATION RESISTANCE: 500M min. AT DC 500V DC
 WITHSTANDING VOLTAGE: 250V ACrms FOR 1 MINUTE
 CONTACT RESISTANCE: 100M max. AT 10MA/20mV max
 CURRENT RATING: 0.5A
 VOLTAGE RATING: 5.0 vrms
 OPERATING TEMP. RANGE: -55 C+85 C
 MATING CYCLES: 5000 INSERTIONS

2. MATERIAL:
 INSULATOR: H-TEMPERATURE PLASTIC, UL 94V-0,
 COLOR: BLACK
 TERMINAL: COPPER ALLOY, T=0.15mm
 SHELL: STAINLESS STEEL, T=0.15mm

3. FINISH:
 TERMINAL: 50u" min NICKEL UNDERPLATED ON ALLOY, GOLD PLATING
 ON CONTACT AREA, 80u" min TIN ON SOLDER TAIL
 SHELL: 50u" NICKEL UNDERPLATED ON ALLOY, GOLD FLASH ON SOLDER LATCH



Title	sim push push 6+2 pin		
Tolerances	Drawer	Naomi	Part No:
Linear	Checked	Summer	WCT-0211AAAG06A
X ±0.15	Approved	Macus	Cus. Part No:
.X ±0.05	Date	2017.06.01	
Angles	Projection	Version	Size A4 Units mm
± 3°		A	Scale 1:1 Sheet 1/2



- Note:
- 1.10 sprocket hole pitch cumulative tolerance ± 0.2
 2. Carrier camber is within 1 mm in 250mm.
 3. Material: Black Conductive Polystyrene Alloy
100% recyclable.
 4. Thickness: 0.3 ± 0.05 mm.
 5. Component load per 13" reel: 700 pcs.
 6. A box of 6 volumes, 4200PCS
 7. 纸箱规格: 345*345*315, 纸箱重为300g
 8. 重量: 每盘700PCS重1500g, 每Pcs重1.3g/Pcs



<i>Title</i>	sim push push 6+2 pin					
<i>Tolerances</i>	<i>Drawer</i>	<i>Naomi</i>	<i>Part No:</i> WCT-0211AAAG06A			
<i>Linear</i>	<i>Checked</i>	<i>Summer</i>				
<i>X ±0.15</i>	<i>Approved</i>	<i>Macus</i>	<i>Cus. Part No:</i>			
<i>.X ±0.05</i>		<i>Date</i>		2017.06.01		
<i>Angles</i>	<i>Projection</i>	<i>Version</i>	<i>Size</i>	A4	<i>Units</i>	mm
$\pm 3^\circ$		A	<i>Scale</i>	1:1	<i>Sheet</i>	2/2