

1.SPECIFICATIONS
 INSULATION RESISTANCE: 500M min.AT DC 500V DC
 WITHSTANDING VOLTAGE: 250V ACrms FOR 1 MINUTE
 CONTACT RESISTANCE: 100M max. AT 10mA/20mV max
 CURRENT RATING: 0.5A
 VOLTAGE RATING: 5.0 vrms
 OPERATING TEMP.RANGE:-55 C+85 C
 MATING CYCLES: 5000 INSERTIONS

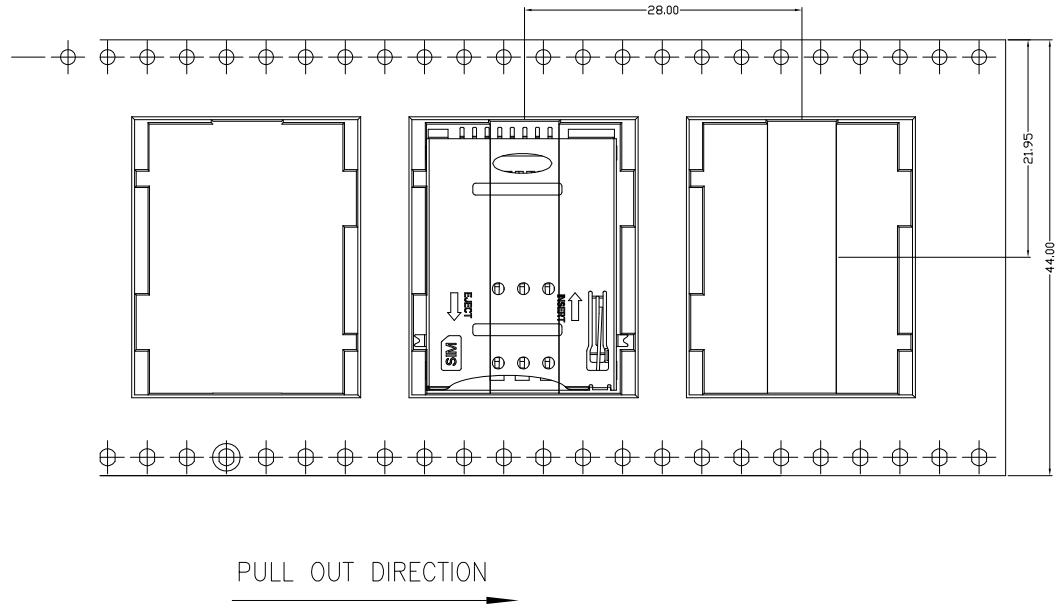
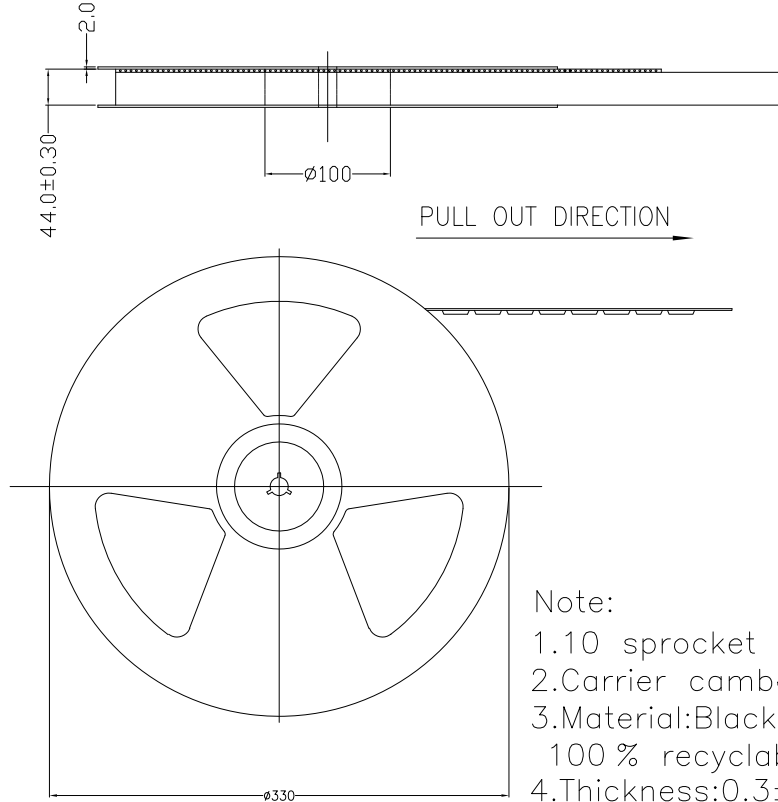
2.MATERIAL:
 INSULATOR: H-TEMPERATURE PLASTIC,UL 94V-0,
 COLOR"BLACK
 TERMINAL: COPPER ALLOY,T=0.15mm
 SHELL: STAINLESS STEEL,T=0.15mm

3.FINISH:
 TERMINAL:50u" min NICKEL UNDERPLATED ON ALLOVER,GOLD PLATING
 ON CONTACT ARER, 80u"min TIN ON SOLDER TAIL.
 SHELL:50u" NICKEL UNDERPLATED ON ALLOVER, GOLD FLASH ON SOLDER
 LATCH

| SIM pin assignment | |
|--------------------|----------|
| PIN# | Name |
| C1 | VCC 电压 |
| C2 | RST 重置 |
| C3 | CLK 时钟 |
| C5 | GND 接地 |
| C6 | VPP 电压 |
| C7 | I/O 输入输出 |



| | | | | | |
|------------|------------|------------------------------------|-----------------|-----|-----------|
| Title | | sim push push 6+2 pin Without post | | | |
| Tolerances | Drawer | Naomi | Part No: | | |
| Linear | Checked | Summer | WCT-0211AAAG06B | | |
| X ±0.15 | Approved | Macus | Cus. Part No: | | |
| .X ±0.05 | | Date | 2017.06.01 | | |
| Angles | Projection | Version | Size | A4 | Units mm |
| ± 3° | | A | Scale | 1:1 | Sheet 1/2 |



Note:

1. 1.10 sprocket hole pitch cumulative tolerance ± 0.2
2. Carrier camber is within 1 mm in 250mm.
3. Material: Black Conductive Polystyrene Alloy
100 % recyclable.
4. Thickness: 0.3 ± 0.05 mm.
5. Component load per 13" reel: 700 pcs.
6. A box of 6 volumes, 4200PCS
7. 纸箱规格: 345*345*315, 纸箱重为300g
8. 重量: 每盘700PCS重1500g, 每Pcs重1.3g/Pcs



| | | | | | | |
|-------------------------------|-------------------|------------------------------------|----------------------|-----|--------------|-----|
| <i>Title</i> | | sim push push 6+2 pin without post | | | | |
| <i>Tolerances</i> | <i>Drawer</i> | Naomi | <i>Part No:</i> | | | |
| <i>Linear</i> | <i>Checked</i> | Summer | WCT-0211AAAG06B | | | |
| X ± 0.15 .X ± 0.05 | <i>Approved</i> | Macus | <i>Cus. Part No:</i> | | | |
| | <i>Date</i> | 2017.06.01 | | | | |
| <i>Angles</i> | <i>Projection</i> | <i>Version</i> | <i>Size</i> | A4 | <i>Units</i> | mm |
| $\pm 3^\circ$ | | A | <i>Scale</i> | 1:1 | <i>Sheet</i> | 2/2 |