

TECHNICAL CHARACTERISTICS

1. General Characteristics

Dimensions: 15.70L*16.40W*2.80H mm
 Operating position: push pull type
 Mounting type: SMT
 Durability: 5000 cycles min.

2. Mechanical Characteristics:

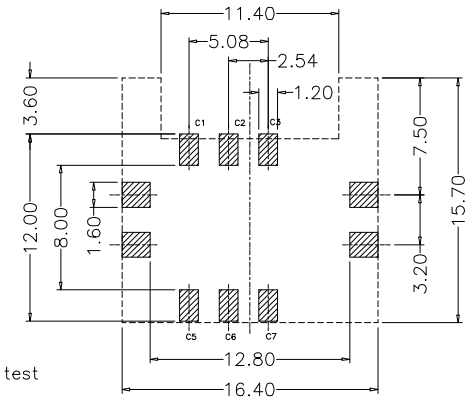
Insulation material: Thermoplastic, UL 94V-0
 Contact: copper alloy, T=0.15mm
 Shell: Stainless steel, T=0.15mm

3. Electrical Characteristics

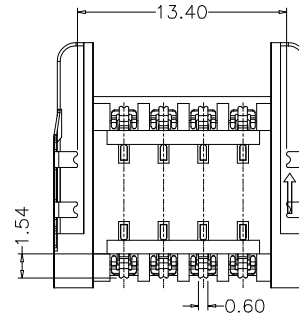
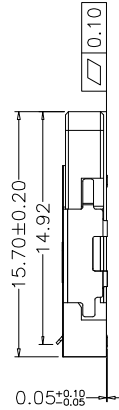
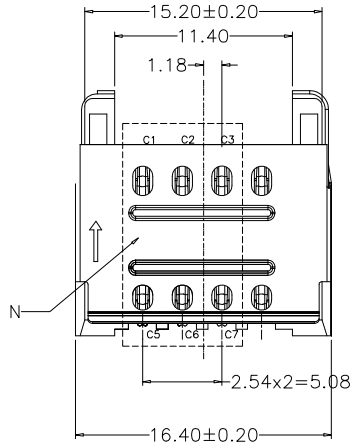
Number of contacts: 6 Pins
 Contact resistance: 50m ohms initial, 100m ohms after test
 Insulation resistance: 1000M ohms min. at 500V DC

4. Environmental Characteristics

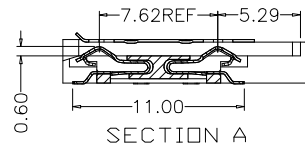
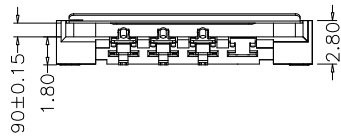
Operation temperature: -40°C~+85°C



▨ SMT SOLDER AREA
 RECOMMENDED PCB LAYOUT
 GENERAL TOLERANCE ±0.05



Contact No.	Assignment	Description	Remark
C1	Vcc	Power Voltage	
C2	RST	Reset Signal	
C3	CLK	Clocking Signal	
C5	GND	Power and Signal Ground	
C6	Vpp	Programming Voltage	
C7	I/O	Serial Data input/output	



Title		SIM PUSH PULL TYPE 2.80H			
<i>Tolerances</i>	<i>Drawer</i>	Naomi	<i>Part No:</i>		
<i>Linear</i>	<i>Checked</i>	Summer	WCT-196S06W2WT-1R3		
X ±0.50	<i>Approved</i>	Macus	<i>Cus. Part No:</i>		
.X ±0.30		<i>Date</i>	2017.06.01		
.XX ±0.25	<i>Angles</i>	<i>Projection</i>	<i>Version</i>	<i>Size</i>	A4
± 3°		A	<i>Scale</i>	1:1	<i>Units</i> mm
			<i>Sheet</i>	1/1	