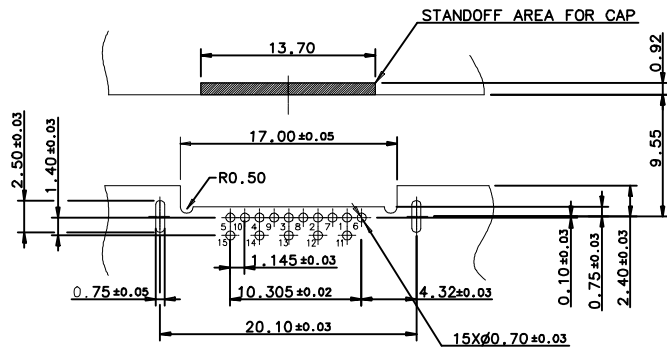
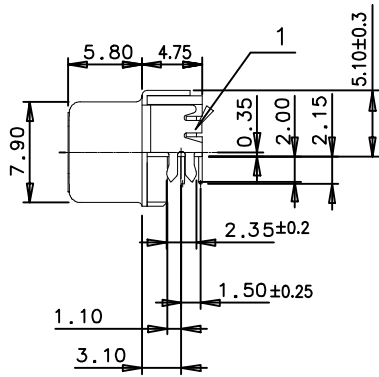
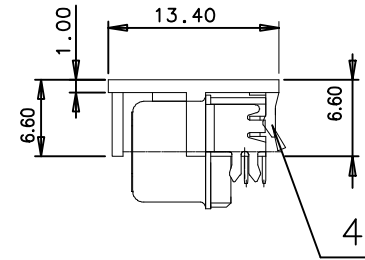
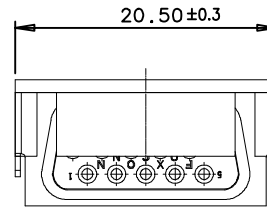


- NOTES:
- SPECIFICATION:
    - ELECTRICAL CHARACTERISTICS:
      - CONTACT CURRENT RATING: 1 AMPERE
      - CONTACT VOLTAGE RATING: 240V AC.
      - CONTACT RESISTANCE: 30 MILLIOHMS MAX.
      - DIELECTRIC WITHSTANDING VOLTAGE: 500V AC RMS.
      - INSULATION RESISTANCE: 5000 MEGOHMS MIN.
    - MECHANICAL CHARACTERISTICS
    - ENVIRONMENT CHARACTERISTICS:
      - OPERATING TEMPERATURE: -55°C TO +105°C
  - INTERMATEABLE WITH STANDARD H/D 15P.MALE D-SUB. .
  - RECOMMENDED PCB THICKNESS 1.20mm



RECOMMENDED PCB LAYOUT  
UNSPECIFIED TOLERANCE: ±0.05



PRODUCT WITH CAP

6	CONTACT 3	5	BRASS C2680	
5	CONTACT 2	5	BRASS C2680	Gold Plating at Contact Area & At Tail Area Over Nickel Overall
4	CONTACT 1	5	BRASS C2680	
3	HOUSING	1	LCP	Color: Black
2	SHELL	1	SPCC	Ni Plating
1	CAP	1	LCP	Color: Black
NO.	DESCRIPTION	QTY	MATERIAL	TREATMENT



<i>Title</i>		Mini D-Sub 15P Female Mid-Mount				
<i>Tolerances</i>	<i>Drawer</i>	<i>Naomi</i>	<i>Part No:</i>			
<i>Linear</i>	<i>Checked</i>	<i>Summer</i>	WCT-DSC-GD15-013			
<i>X ±0.15</i>	<i>Approved</i>	<i>Macus</i>	<i>Cus. Part No:</i>			
<i>.X ±0.05</i>	<i>Date</i>	2017.07.01	WCT-DSC-GD15-013			
<i>Angles</i>	<i>Projection</i>	<i>Version</i>	<i>Size</i>	<i>A4</i>	<i>Units</i>	
± 3°		A	<i>Scale</i>	1:1	<i>Sheet</i> 1/1	