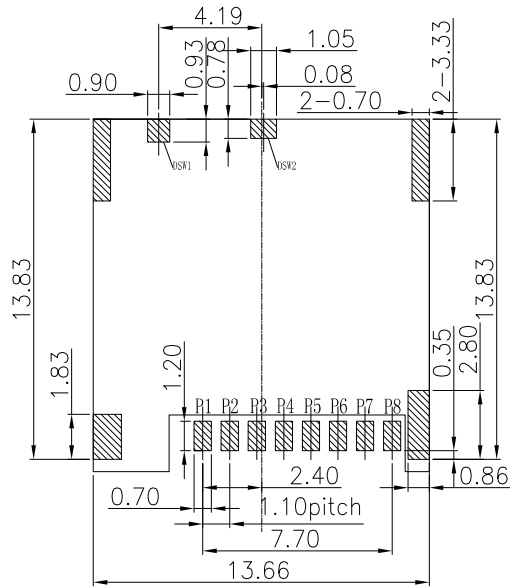


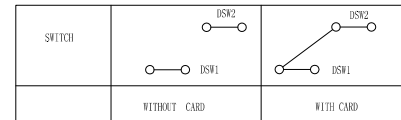
<i>Title</i>	MICRO SD PUSH PUSH TYPE 1.28H						
<i>Tolerances</i>	<i>Drawer</i>	Naomi	<i>Part No:</i>				
<i>Linear</i>	<i>Checked</i>	Summer	WCT-TF128-T5251-01				
X ±0.50	<i>Approved</i>	Macus	<i>Cus. Part No:</i>				
.X ±0.30	<i>Date</i>	2016.04.15					
.XX ±0.25	<i>Angles</i>	<i>Projection</i>	<i>Version</i>	<i>Size</i>	A4	<i>Units</i>	mm
± 3°		A	<i>Scale</i>	1:1	<i>Sheet</i>	1/2	



RECOMMEND P.C.B LAYOUT
(General tolerance ± 0.05)

- PAD AREA
- KEEP OUT AREA
- GND PATTERN ONLY

PIN NO.	PIN ASSIGNMENT
P1	DAT2
P2	CD/DAT3
P3	CMD
P4	VDD
P5	CLK
P6	VSS
P7	DAT0
P8	DAT1



Specification

1. MATERIAL:
 - 1.1 Insulator: High Temperature Thermoplastic, LCP SZ6505 black 94V-0.
 - 1.2 Contact: Beryllium copper (7035-TM06, T=0.15mm)
 - 1.3 Shell: SUS301-3/4H T=0.10mm
2. Plating:
 - 2.1 Contact: Plated 80u"min Ni Overall
Plated 1u"min Au Selective contact area
Selective 1u"min AU over Ni on solder area
 - 2.2 Shell: Solder tail Plated 1u"min AU overll 50u"min Ni
3. Property:
 - 3.1 Current Rating :0.5A AC/DC max.
 - 3.2 Voltage Rating :12V AC/DC
 - 3.3 Ambient Temperature Range : $-20^{\circ}\text{C}\sim+60^{\circ}\text{C}$
 - 3.4 Ambient Humidity Range :95% R.H. Max.
 - 3.5 Contact Resistance:100m Ω max.
 - 3.6 Insulation Resistance:1000M Ω min./500VDC
 - 3.7 Durability:5,000 cycles



Title		MICRO SD PUSH PUSH TYPE 1.28H			
<i>Tolerances</i>	<i>Drawer</i>	Naomi	<i>Part No:</i>		
<i>Linear</i>	<i>Checked</i>	Summer	WCT-TF128-T5251-01		
X ± 0.50	<i>Approved</i>	Macus	<i>Cus. Part No:</i>		
.X ± 0.30	<i>Date</i>	2016.04.15			
.XX ± 0.25	<i>Angles</i>	<i>Version</i>	<i>Size</i>	A4	<i>Units</i> mm
$\pm 3^{\circ}$	<i>Projection</i>	A	<i>Scale</i>	1:1	<i>Sheet</i> 2/2