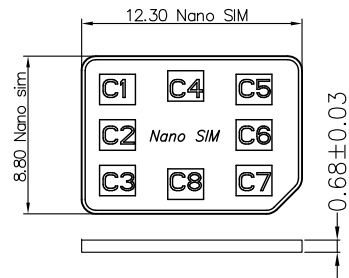
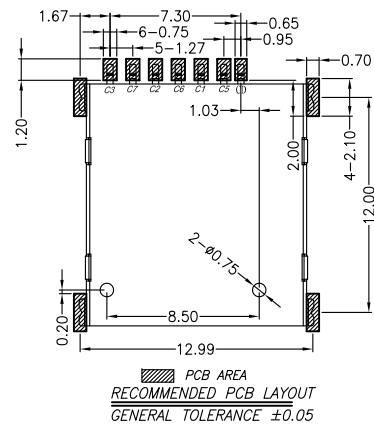
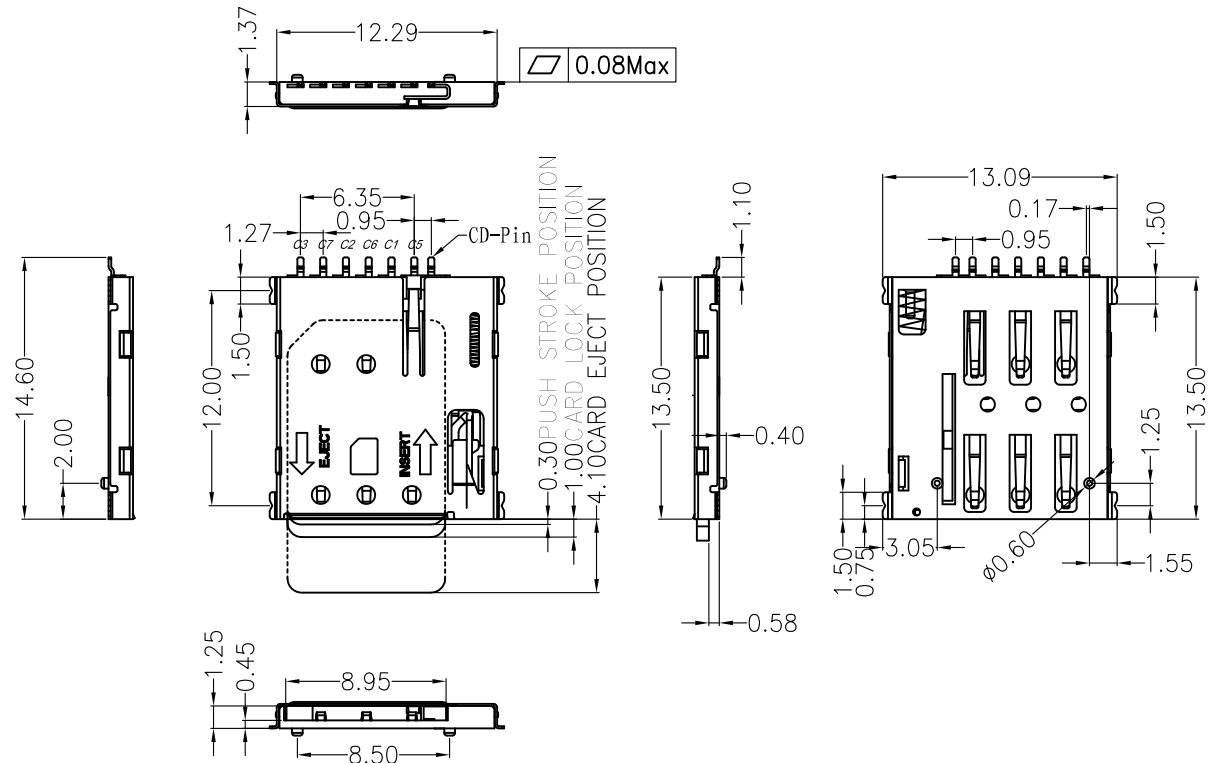
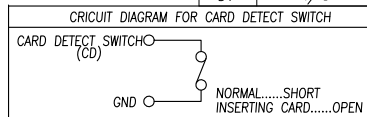




- 1.MATERIAL:  
INSULATOR: Hi-TEMPERATURE PLASTIC,UL 94V-0,  
COLOR"BLACK  
TERMINAL: COPPER ALLOY,  
SHELL: STAINLESS STEEL,
- 2.PLATING:  
TERMINAL: GOLD FLASH PLATING ON ALL TERMINAL,  
AND 50u" min NICKEL UNDERPLATED ON ALLOVER,  
SHELL:50u" NICKEL UNDERPLATED ON ALLOVER, GOLD FLASH  
ON SOLDER PAD
- 3.SPECIFICATIONS  
INSULATION RESISTANCE: 1000M min.AT DC 500V DC  
WITHSTANDING VOLTAGE: 250V ACrms FOR 1 MINUTE  
CONTACT RESISTANCE: 100mΩ max. AT 10mA/20mV max  
CURRENT RATING: 0.5A  
VOLTAGE RATING: 5.0 vrms  
OPERATING TEMP.RANGE:-40° C+70° C  
MATING CYCLES: 3000 INSERTIONS
- 4.PACKAGE: TAPE REEL, 1000PCS/REEL



| SIM pin assignment |      |
|--------------------|------|
| PIN#               | Name |
| C1                 | VCC  |
| C2                 | RST  |
| C3                 | CLK  |
| C5                 | GND  |
| C6                 | VPP  |
| C7                 | I/O  |



| Title               |            | nano sim push push 1.37H type |                 |     |           |
|---------------------|------------|-------------------------------|-----------------|-----|-----------|
| Tolerances          | Drawer     | Naomi                         | Part No:        |     |           |
| Linear              | Checked    | Summer                        | WCT-0191AAAA07A |     |           |
| X ±0.15<br>.X ±0.05 | Approved   | Macus                         | Cus. Part No:   |     |           |
|                     | Date       | 2017.04.01                    |                 |     |           |
| Angles              | Projection | Version                       | Size            | A4  | Units     |
| ± 3°                |            | A1                            | Scale           | 1:1 | Sheet 1/1 |