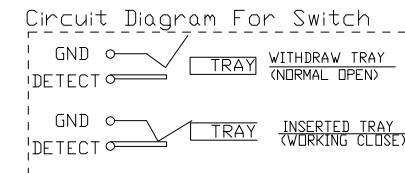
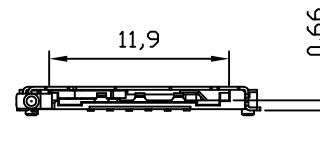
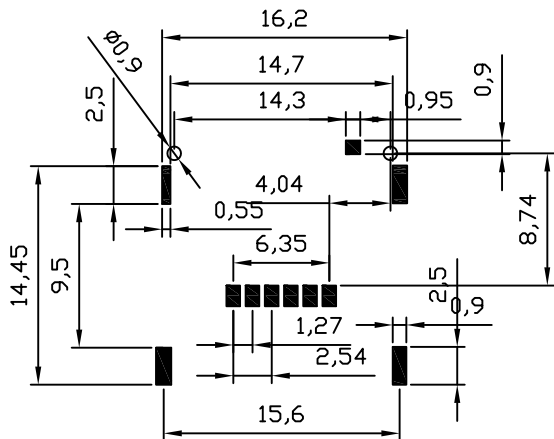


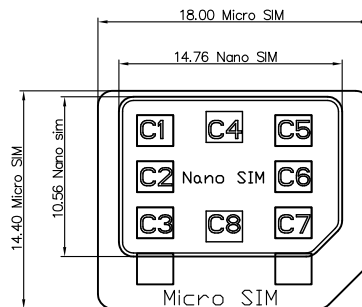
C1:Supply Voltage Vcc
 C2:Reset(RST)
 C3:Clock(CLK)
 C4:GND
 C5:Ground
 C6:Programming Voltage Vpp
 C7:I/O



- 1.MATERIAL:
 INSULATOR: Hi-TEMPERATURE PLASTIC,UL 94V-0,
 COLOR"BLACK
 TERMINAL: COPPER ALLOY,
 SHELL: STAINLESS STEEL,
 2.PLATING:
 TERMINAL: GOLD FLASH PLATING ON ALL TERMINAL,
 AND 50u" min NICKEL UNDERPLATED ON ALLOVER,
 SHELL:50u" NICKEL UNDERPLATED ON ALLOVER,
 3.SPECIFICATIONS
 INSULATION RESISTANCE: 1000M min.AT DC 500V DC
 WITHSTANDING VOLTAGE: 250V ACrms FOR 1 MINUTE
 CONTACT RESISTANCE: 100mΩ max. AT 10mA/20mV max
 CURRENT RATING: 0.5A
 VOLTAGE RATING: 5.0 vrms
 OPERATING TEMP.RANGE:-40° C+70° C
 MATING CYCLES: 5000 INSERTIONS
 4.PACKAGE: TAPE REEL ,1000PCS/REEL



RECOMMENDED
 PCB PATTERN LAYOUT(TOP VIEW)
 TOLERANCE: ±0.05



PIN#	Name
C1	VCC
C2	RST
C3	CLK
C5	GND
C6	VPP
C7	I/O



Title	nano sim tray type 1.50H		
Tolerances	Drawer	Naomi	Part No:
Linear	Checked	Summer	WCT-NANO-0605-IP6-2
X ±0.15	Approved	Macus	Cus. Part No:
.X ±0.05	Date	2017.04.01	
Angles	Projection	Version	Size A4 Units mm
± 3°		A	Scale 1:1 Sheet 1/1