

RECOMMEND P. C. B. LAYOUT

Contact Number	Signal Name	Typical Wiring Assignment
1	VBUS	Red
2	D-	White
3	D+	Green
4	<u>LD</u>	not connected

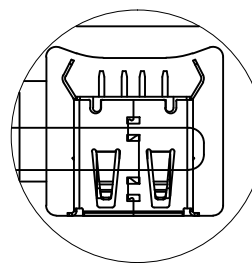
RATING :
 VOTAGE : 30 VAC (R.M.S.)
 CURRENT : 1.5 AMPERE MAXIMUM PER CONTACT AT 30°C T-RISE
 TEMPERATURE : -55°C TO +85°C
 ELECTRICAL CHARACTERISTIC :
 CONTACT RESISTANCE : 30 MILLIOHMS MAXIMUM INITIAL
 INSULATION RESISTANCE : 1,000 MEGOHMS MINIMUM
 DIELECTIC WITHSTANDING VOLTAGE : 500 VAC AT SEE LEVEL
 MECHANICAL :
 INSULATION : PBT UL94V-0 WHITE
 CONTACT : BRASS C2680 T=0.25MM
 SHELL : BRASS C2680 T=0.3MM
 FINISH :
 CONACT AREA : GOLD FLASH OVER 40U" NICKEL MIN
 SOLDER TAILS AREA : 60U"~100U" TIN PLATED OVER 40U" NICKEL MIN.

Part No: WCT-USB2-01 A F2 04 1 0 2 X X 3 E
 1 2 3 4 5 6 7 8 9 10 11

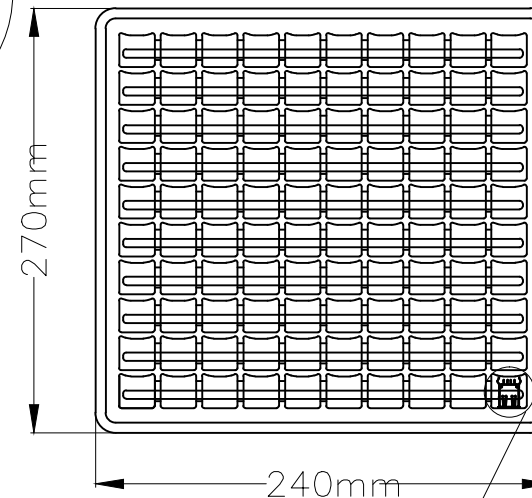
- 1.Products distination : MWY01=USB 2.0
- 2.Type difference : A=A Type
- 3.Specifications distination : F2=Female To Board
- 4.PIN : 04=4PIN
- 5.Housing Material : 1=PBT
- 6.Special practice : 0=180° L:15mm
- 7.Shell Material : 2=C2680
- 8.Housing Color : 1=White 2:Blue 3=Black
- 9.Contact Plating : S=Gold Flash
- 10.Package : 3=Tray
- 11.Environmental : E=RoHS(Bright)



Title	USB 2.0 A TYPE 4P Female DIP 180° Shell Foot Kink 13.14mm					
Tolerances	Drawer	Naomi	Part No:			
Linear	Checked	Summer	WCT-USB2-01AF204102XX3E			
X ±0.15	Approved	Macus	Cus. Part No:			
.X ±0.05	Date	2017.07.06	WCT-USB2-01AF204102XX3E			
Angles	Projection	Version	Size	A4	Units	mm
± 3°		A	Scale	1:1	Sheet	1/2

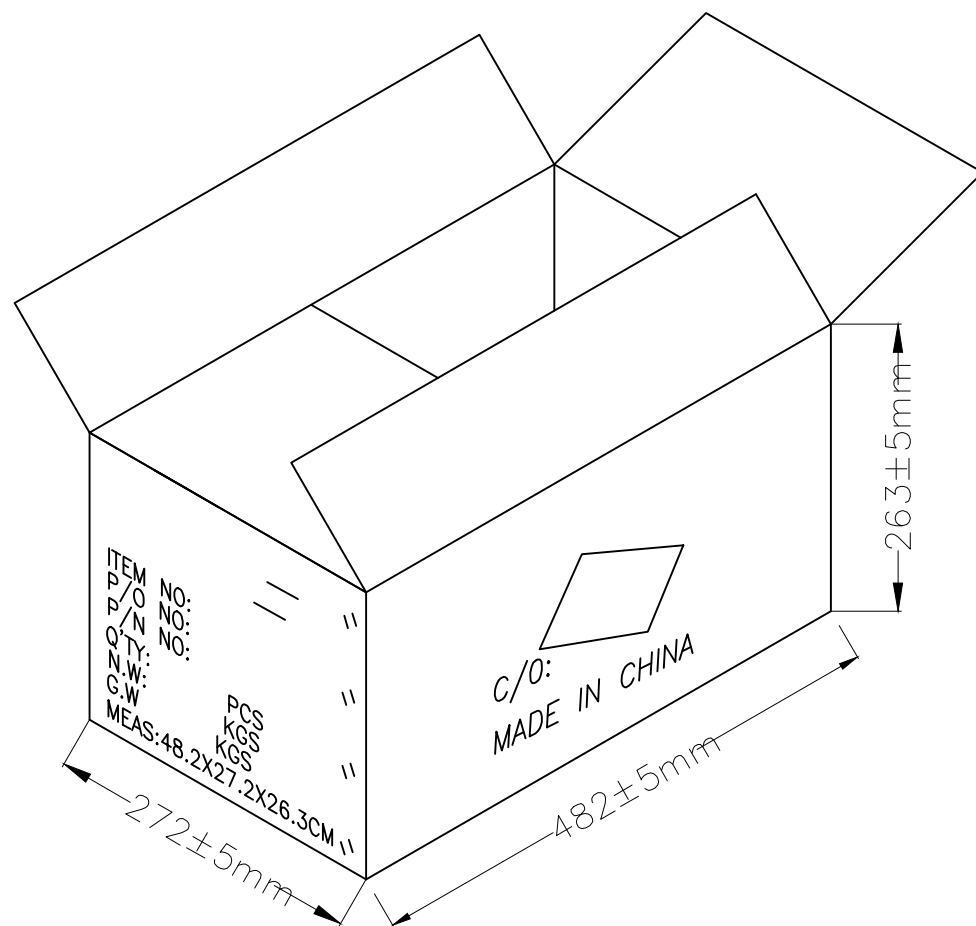


DETAIL A
SCALE 5:1



240mm

270mm



263±5mm

C/O:
MADE IN CHINA

PCS
KGS
KGS
MEAS:48.2X27.2X26.3CM

272±5mm

482±5mm

NOTES:

1. 每盒装产品100PCS, 每箱装产品50X100=5000PCS。
2. 用钉书钉钉住装好产品的吸塑盒, 每边钉一处, 共四边。
3. 用封箱胶纸封住纸箱中间及两头, 在纸箱相应位置贴上出货标签及ROHS标签。



Title	USB 2.0 A TYPE 4P Female DIP 180° Shell Foot Kink 13.14mm					
Tolerances	<i>Drawer</i>	<i>Naomi</i>	<i>Part No:</i>			
<i>Linear</i>	<i>Checked</i>	<i>Summer</i>	WCT-USB2-01AF204102XX3E			
<i>X ±0.15</i>	<i>Approved</i>	<i>Macus</i>	<i>Cus. Part No:</i>			
<i>X ±0.05</i>	<i>Date</i>	2017.07.06	WCT-USB2-01AF204102XX3E			
Angles	<i>Projection</i>	<i>Version</i>	<i>Size</i>	<i>A4</i>	<i>Units</i>	<i>mm</i>
± 3°		A	<i>Scale</i>	1:1	<i>Sheet</i>	2/2