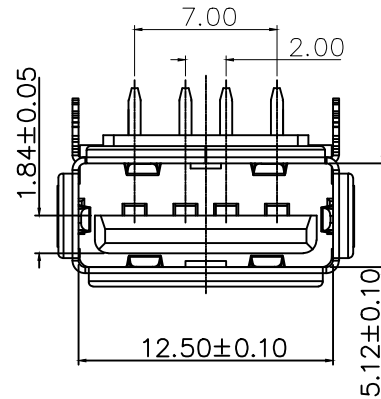


RECOMMENDED P.C.B LAYOUT



NOTES:

- MATERIAL SPECIFICATION:  
HOUSING:SEE PART NO. UL94V-0  
SHELL:SEE PART NO. T=0.30  
PLATING: NICKEL  
TERMINAL: SEE PART NO.  
PLATING: GOLD/TIN PLATED;
- ELECTRICAL CHARACTERISTIC:  
INSULATION RESISTANCE: 1000MΩ MIN;  
CONTACT RESISTANCE: 30mΩ MAX;  
WITHSTANDING VOLTAGE: 500V AC;
- MECHANICAL CHARACTERISTICS:  
INSERTION FORCE:3.57Kgf Max;  
EXTRACTION FORCE:1.02Kgf Min;

Part No: WCT-USB2-01 A F2 04 6 T3 X X S 3 E  
1 2 3 4 5 6 7 8 9 10 11

- Products Distination: USB2=USB 2.0
- Type Difference: A=A Type
- Specifications Distination: F2=Female To Board
- Pin: 04=04Pin
- Housing Material: 6=LCP
- Special Practice: T3=90°DIP前兩腳魚叉. 短體10.0有卷邊H=6.80mm
- Shell Material: P=SPCC
- Housing Color: 1=White 3=Black
- Contact Plating: S=Gold Flash
- Package: 3=Tray
- Environmental: E=RoHS(Bright)



Title	USB 2.0 A Type 4P DIP 90° With Curl					
Tolerances	Drawer	Naomi	Part No:			
Linear	Checked	Summer	WCT-USB2-01AF2046T3XXS3E			
X ±0.15	Approved	Macus	Cus. Part No:			
.X ±0.05	Date	2017.07.06	WCT-USB2-01AF2046T3XXS3E			
Angles	Projection	Version	Size	A4	Units	mm
± 3°		A	Scale	1:1	Sheet	1/1