

PCB LAYOUT

**MATERIAL SPECIFICATION:**

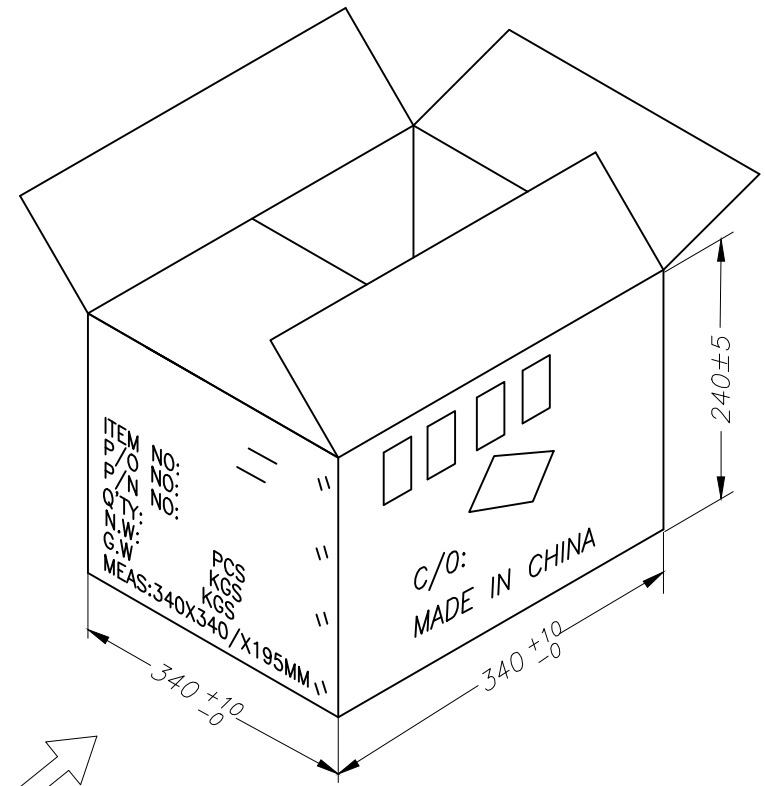
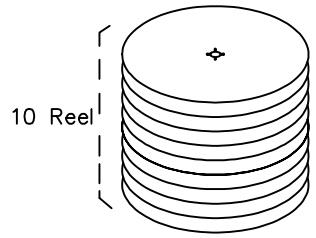
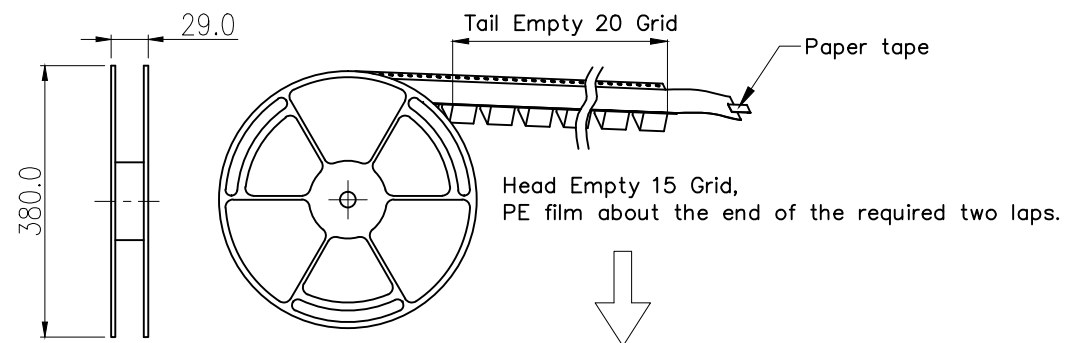
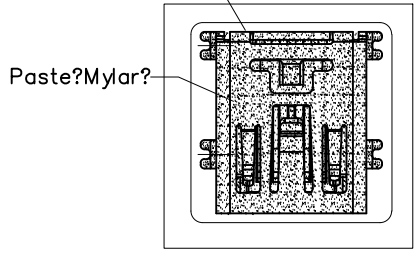
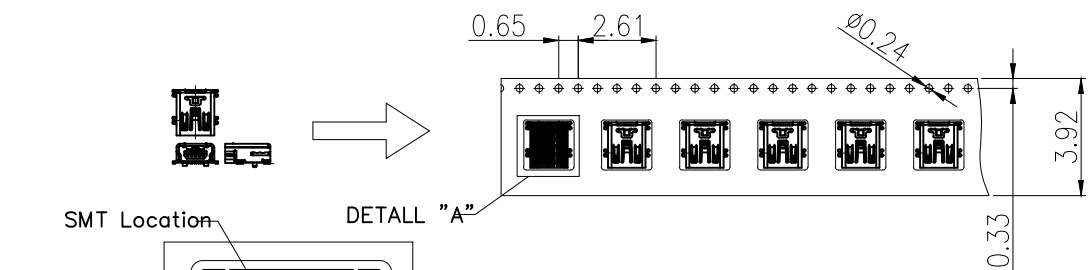
HOUSING MATERIAL:LCP COLOUR: BLACK  
 SHELL MATERIAL:SEE PART NO. T=0.40mm  
 PLATING:SEE PART NO.  
 TERMINAL MATERIAL:SEE PART NO. T=0.25mm  
 PLATING: SEE PART NO.  
**ELECTRICAL CHARACTERISTIC:**  
 INSULATION RESISTANCE: 100MΩMIN;  
 CONTACT RESISTANCE: 50mΩMAX;  
 WITHSTANDING VOLTAGE: 100V AC;  
 MATING FORCE:3.57 kgf MAX  
 UNMATING FORCE:0.71 kgf MIN.

Part No: WCT-MNU-02 B F2 05 6 2I X 3 S X E  
 1 2 3 4 5 6 7 8 9 10 11

- 1.Products destination : MNU=Mini USB
- 2.Type difference : B=B Type
- 3.Specifications destination : F2=Female To Board
- 4.PIN : 05=5PIN
- 5.Housing Material : 6=LCP
- 6.Special practice : 2T=SMT90° With Cover
- 7.Shell Material : 2=C2680 P=SPCC
- 8.Housing Color : 3=Black
- 9.Contact Plating : S=Gold Flash D=30U"
- 10.Package : 4=Tube 6=Reel+ML
- 11.Environmental : E=RoHS(Bright)



<i>Title</i>	Mini USB B Type Female 5P SMT 90°With Post With Brass Shell					
<i>Tolerances</i>	<i>Drawer</i>	<i>Naomi</i>	<i>Part No:</i>			
<i>Linear</i>	<i>Checked</i>	<i>Summer</i>	WCT-MNU-02BF20562TX3SX E			
<i>X ±0.15</i>	<i>Approved</i>	<i>Macus</i>	<i>Cus. Part No:</i>			
<i>.X ±0.05</i>	<i>Date</i>	2017.07.07	WCT-MNU-02BF20562TX3SX E			
<i>Angles</i>	<i>Projection</i>	<i>Version</i>	<i>Size</i>	<i>A4</i>	<i>Units</i>	<i>mm</i>
± 3°		A	<i>Scale</i>	1:1	<i>Sheet</i>	1/2



- NOTES:
- 1.1000 Pcs/Reel?
  - 2.1 Carton : 10 Reel x 1000 Pcs = 10000 Pcs?
  - 3.Carton Shipping Labels Affixed To The Corresponding Position?
  - 4.Carton : 340 x 340 x 240mm



<b>Title</b>							Mini USB B Type Female 5P SMT 90°With Post With Brass Shell						
<b>Tolerances</b>		<i>Drawer</i>		<i>Naomi</i>		<i>Part No:</i>							
<i>Linear</i>		<i>Checked</i>		<i>Summer</i>		WCT-MNU-02BF20562TX3SXE							
<i>X ±0.15</i>		<i>Approved</i>		<i>Macus</i>		<i>Cus. Part No:</i>							
<i>.X ±0.05</i>		<i>Date</i>		2017.07.07		WCT-MNU-02BF20562TX3SXE							
<b>Angles</b>		<i>Projection</i>		<i>Version</i>		<i>Size</i>		<i>A4</i>	<i>Units</i>	<i>mm</i>			
± 3°		☉		A		<i>Scale</i>		1:1	<i>Sheet</i>	2/2			