



- NOTES:
- MATERIAL SPECIFICATION:
HOUSING MATERIAL:LCP COLOUR: BLACK
SHELL MATERIAL:SEE PART NO.
PLATING:SEE PART NO.
TERMINAL MATERIAL:SEE PART NO.
PLATING: SEE PART NO.
 - ELECTRICAL CHARACTERISTIC:
INSULATION RESISTANCE: 100MΩMIN;
CONTACT RESISTANCE: 50mΩMAX;
WITHSTANDING VOLTAGE: 100V AC;
MATING FORCE:3.57 kgf MAX
UNMATING FORCE:0.71 kgf MIN.
 - OPERATING TEMP: -30~85 DEGREE
 - STORAGE TEMP: -40~95 DEGREE

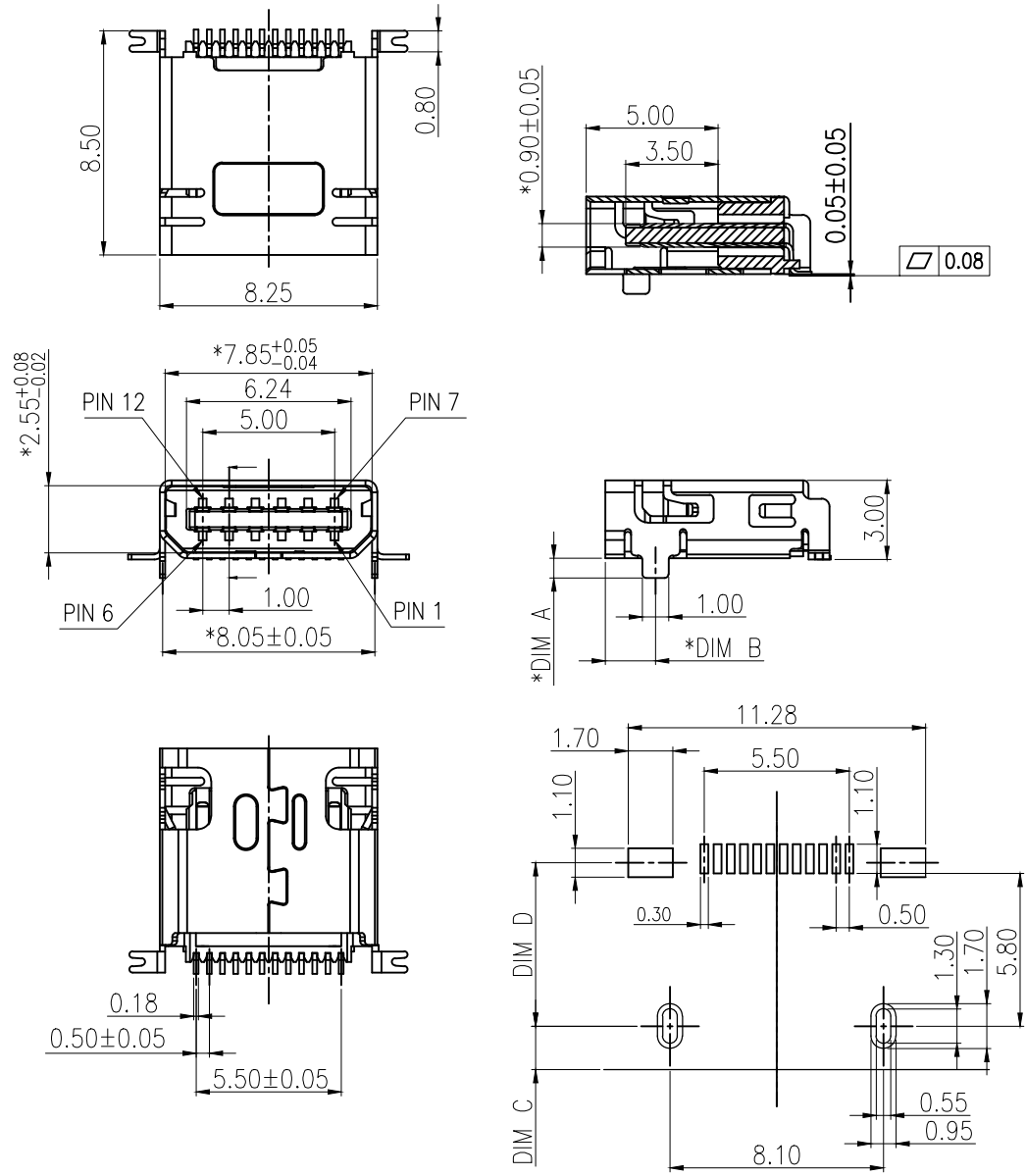
Part No: WCT-MNU-02 B F2 12 6 E S 3 S 5 E
1 2 3 4 5 6 7 8 9 10 11

- Products Distination : MNU=Mini USB
- Type Difference : B=B TYPE
- Specifications Distination : F2=Female To Board
- Pin : 12=12Pin
- Housing Material : 6=LCP
- Special Practice : E=前插後貼 無捲邊
- Shell Material : S=SUS
- Housing Color : 3=Black
- Contact Plating : S=Gold Flash
- Package : 5=Reel
- Environmental : E=RoHS(Bright)

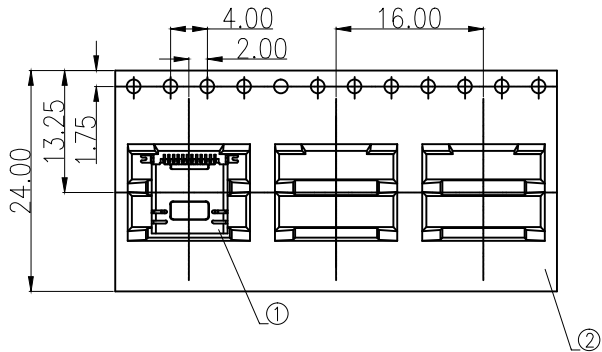
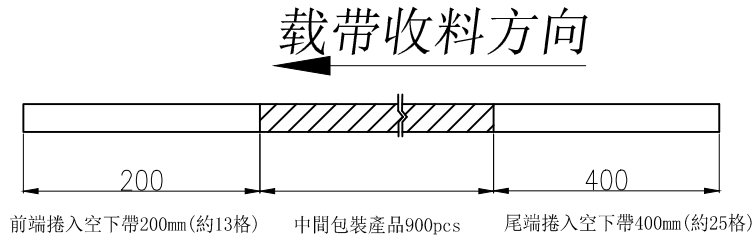
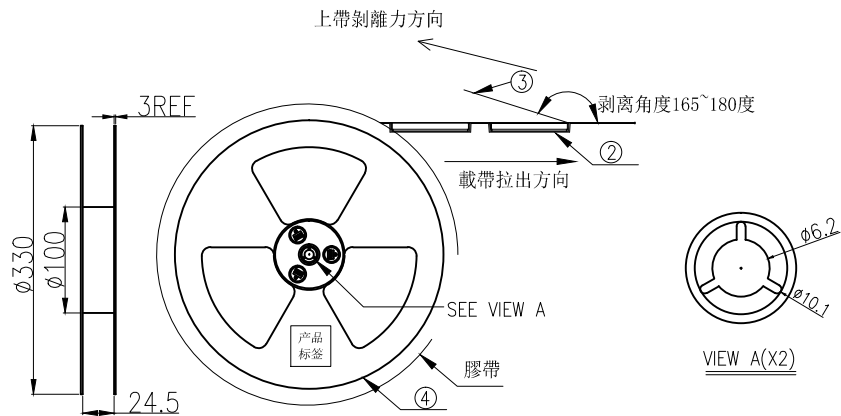
DIMA	DIMB	DIMC	DIMD	WCT P/N
0.75	1.90	1.65	6.20	WCT-MNU-02BF2126ES3S5E-01
0.90	3.10	2.85	5.00	WCT-MNU-02BF2126ES3S5E-02
3	外殼	1		Stainless Steel Matte Tin / Ni Plated
2	端子	12		Copper Alloy Au / Matter Tin / Ni Plated
1	塑膠主體	1		LCP UL94V-0 Black
NO.	DESCRIPTION	QTY	MATERIAL	



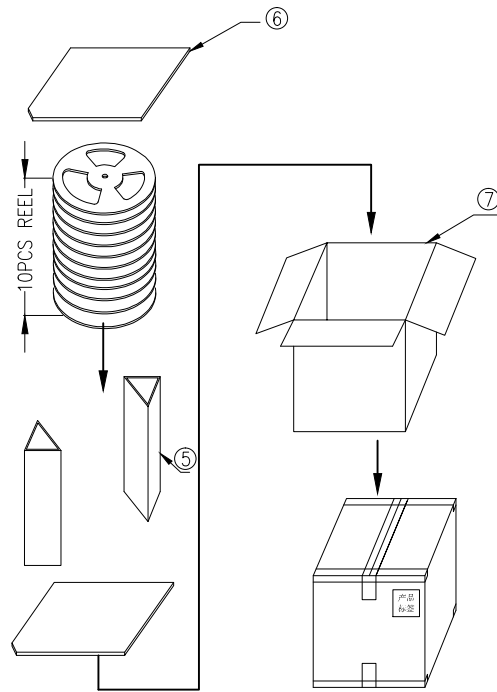
Title		Mini USB 12P Female H=3.0 (SMT+DIP TYPE)			
Tolerances	Drawer	Naomi	Part No:		
Linear	Checked	Summer	WCT-MNU-02BF2126ES3S5E-XX		
X ±0.15	Approved	Macus	Cus. Part No:		
.X ±0.05	Date	2017.07.07	WCT-MNU-02BF2126ES3S5E-XX		
Angles	Projection	Version	Size	A4	Units
± 3°		A	Scale	1:1	Sheet 1/2



RECOMMEND P. C. B. LAYOUT



PULL OUT DIRECTION 拉出方向



PACKING NOTES:

- 1.PRIMARY PACKING: 900PCS/REEL
- 2.SECONDARY PACKING: 10 REELS/Carton
9000pcs/Carton
- 3.PEEING RESISTANCE: 30gf~100gf
- 4.PEEING ANGLE: 165°~180°
- 5.PEEING SPEED: 300mm / minutes

NO.	NAME	SPEC.	REMARK
①	成品	MINI IO 12P 双排	900PCS/REEL
②	下带(载带)	PS料黑色, W=24mm, T=0.5mm, P=16mm	15.0M/900PCS
③	上带(盖带)	W=21.3mm, T=0.06mm, 热熔式透明状	15.2M/900PCS
④	REEL (蓝色卷盘)	外直径330mm, 内直径100mm, 内宽24.5mm	1PCS/9.0KPCS
⑤	折叠板	296*464*6mm	4PCS/9.0KPCS
⑥	平板	328*328*6mm	2PCS/9.0KPCS
⑦	CARTON (外箱)	350*350*335mm	1PCS/9.0KPCS



Title		Mini USB 12P Female H=3.0 (SMT+DIP TYPE)			
Tolerances	Drawer	Naomi	Part No:		
Linear	Checked	Summer	WCT-MNU-02BF2126ES3S5E-XX		
X ±0.15 .X ±0.05	Approved	Macus	Cus. Part No:		
	Date	2017.07.07	WCT-MNU-02BF2126ES3S5E-XX		
Angles	Projection	Version	Size	A4	Units
± 3°		A	Scale	1:1	Sheet 2/2